

# ASPH

Anish Spheronizer



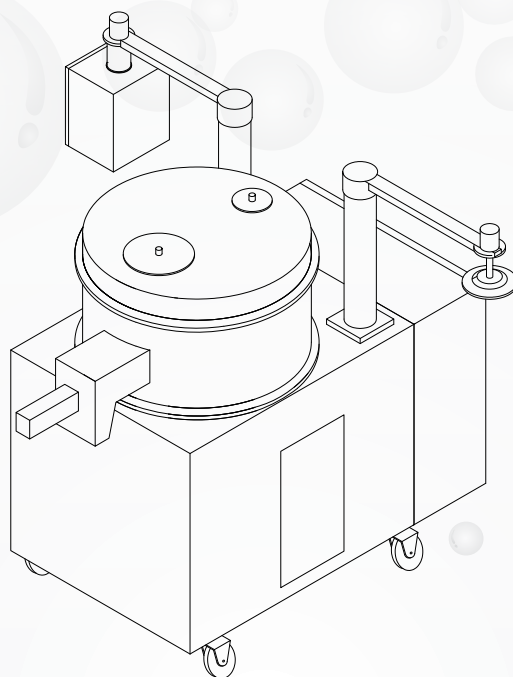
Anish Spheronizer is used to convert the extrudate (output from extruder machine) into small rounded or spherical pellets.

#### Salient Features:

- Convenient batch size
- Uniform & consistent product and standard size
- Compact design thus lesser foot print
- Robust construction
- Hassle free cleaning, dismantling, assembling
- Complete process automation with PLC and HMI based control
- High productivity and low maintenance cost
- Complying with cGMP norms
- SS 316 contact parts and food grade silicon gaskets
- MOC – All contact part – SS 316 and Non-contact part SS 304

# ASPH

Anish Spheronizer



## Models:

	R&D Model	Pilot Model	Commercial Model	
	ASPH-200	ASPH-400	ASPH-700	ASPH-900
Capacity (in litre)	0.5 - 1 Lit.	4 Lit.	20 Lit.	45 Lit.

## Additional features - Spheronizer:

- MOC – All contact part – SS 316 and Non-contact part SS 304
- Drum, controls & discharge assembly.
- Machines can be mobile or stationed
- The drum will be of rotating design to enable discharge from either side.
- Chequered plate of 2 mm, 3.25 mm, 4 mm, 6 mm & 8 mm pitch, dynamically balanced & Easily removable for cleaning with lifting screw arrangement.
- White colour Silicon food grade gaskets
- Plate lifting mechanism provided separately along with bucket valve fitted.
- Discharge Assembly-Contact Parts SS316 Non-Contact parts SS304
- Control System: Manual mode as well as auto mode control panel with speed variance system.
- SCADA based 21 CFR Part 11 Compliant operating system
- Jacketed Spheronizer (For cooling & heating purpose)



### anish pharma equip pvt. ltd.

**Works:** G-68, MIDC Ambad, Nasik, Maharashtra, India 422010  
Tel.: +91 253 2381831/2380337  
Fax: +91 253 2380903

**Office:** B-613, Lodha Supremus Tower II, Wagle Estate, Thane (W), Maharashtra, India 400604  
T.: +91 22 49765310/311

E: [marketing@anishpharma.com](mailto:marketing@anishpharma.com) | M: +91 8380033063 / +91 8380033064  
W: [www.anishpharma.com](http://www.anishpharma.com)