

# AEXT

Anish Extruder



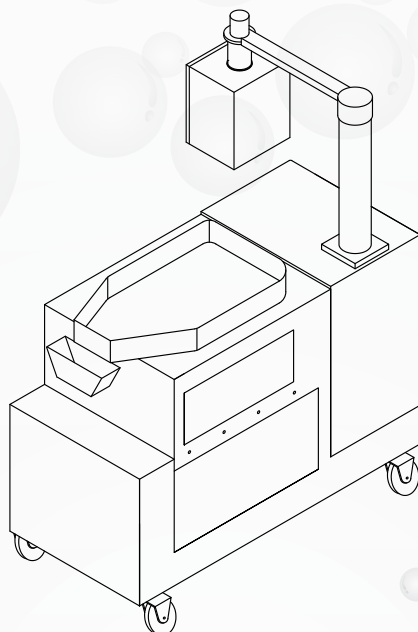
Anish Extruder is used to convert wetted powder/ dough material into uniform size extrudes with addition of binders.

### Salient Features:

- Available in Dome/Radial/Axial options
- Convenient batch size
- Extrusions length is adjustable
- Uniform & consistent product and standard size
- Robust construction & Compact design thus less footprint
- Hassle free cleaning, dismantling & assembling
- Complete process automation with PLC and HMI based control
- High productivity and low maintenance cost
- Complying with cGMP norms
- SS 316 contact parts and food grade silicon gaskets
- Provision for continuous cooling during extrusion

# AEXT

Anish Extruder

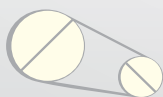


## Models:

	R&D Model	Pilot Model	Commercial Model		
	AEXT-SS-30	AEXT-SS-55	AEXT-TS-80	AEXT-TS-100	AEXT-TS-130
Capacity	0.5-4 kg/hr	15 - 20 kg/hr	100-150 kg/hr	150-200 kg/hr	200-400 kg/hr

## Additional features – Extruder:

- White colour Silicon food grade gaskets.
- MOC – All contact part – SS 316 and Non-contact part SS 304
- Hopper Assembly consists of feeding hopper with feeding plate, this hopper feeds transfers screw.
- Discharge tray for fines generated during process.
- Worm gear reduction gear box & speed inverter from 20-130 R.P.M.
- Easily convertible into a dome, radial or axial extruder.
- Variable speed drive for extrusion screw will be provided.
- Manual mode as well as auto mode control panel with speed variation system
- SCADA based 21 CFR Part 11 Compliant operating system
- Jacketed Extruder (For cooling & heating purpose)
- Provision for Hot Melt application can be considered.



# anish

### anish pharma equip pvt. ltd.

**Works:** G-68, MIDC Ambad, Nasik,  
Maharashtra, India 422010  
Tel.: +91 253 2381831/2380337  
Fax: +91 253 2380903

**Office:** B-613, Lodha Supremus Tower II,  
Wagle Estate, Thane (W),  
Maharashtra, India 400604  
T.: +91 22 49765310/311

E: [marketing@anishpharma.com](mailto:marketing@anishpharma.com) | M: +91 8380033063 / +91 8380033064  
W: [www.anishpharma.com](http://www.anishpharma.com)