

# AEXT

Anish Extruder



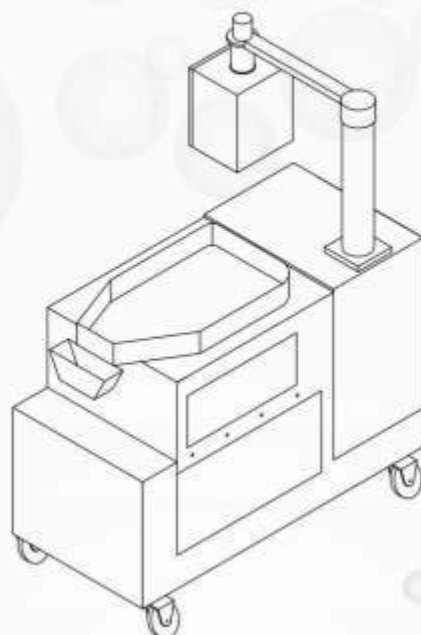
Anish Extruder is used to convert wetted powder/ dough material into uniform size extrudes with addition of binders.

### Salient Features:

- Available in Dome/Radial/Axial options
- Convenient batch size
- Extrusions length is adjustable
- Uniform & consistent product and standard size
- Robust construction & Compact design thus less footprint
- Hassle free cleaning, dismantling & assembling
- Complete process automation with PLC and HMI based control
- High productivity and low maintenance cost
- Complying with cGMP norms
- SS 316 contact parts and food grade silicon gaskets
- Provision for continuous cooling during extrusion

# AEXT

Anish Extruder



## Models:

	R&D Model	Pilot Model	Commercial Model		
	AEXT-SS-30	AEXT-SS-55	AEXT-TS-80	AEXT-TS-100	AEXT-TS-130
Capacity	0.5-4 kg/hr	15 - 20 kg/hr	100-150 kg/hr	150-200 kg/hr	200-400 kg/hr

## Additional features – Extruder:

- White colour Silicon food grade gaskets.
- MOC – All contact part – SS 316 and Non-contact part SS 304
- Hopper Assembly consists of feeding hopper with feeding plate, this hopper feeds transfers screw.
- Discharge tray for fines generated during process.
- Worm gear reduction gear box & speed inverter from 20-130 R.P.M.
- Easily convertible into a dome, radial or axial extruder.
- Variable speed drive for extrusion screw will be provided.
- Manual mode as well as auto mode control panel with speed variation system
- SCADA based 21 CFR Part 11 Compliant operating system
- Jacketed Extruder (For cooling & heating purpose)
- Provision for Hot Melt application can be considered.



**anish**

### anish pharma equip pvt. ltd.

**Works:** G-68, MIDC Ambad, Nasik, Maharashtra, India 422010  
Tel.: +91 253 2381831/2380337  
Fax: +91 253 2380903

**Office:** B-613, Lodha Supremus Tower II, Wagle Estate, Thane (W), Maharashtra, India 400604  
T.: +91 22 49765310/311

E: [marketing@anishpharma.com](mailto:marketing@anishpharma.com) | M: +91 9822268801 / 9881470643 / 8879988799  
W: [www.anishpharma.com](http://www.anishpharma.com)

# ASPH

Anish Spheronizer



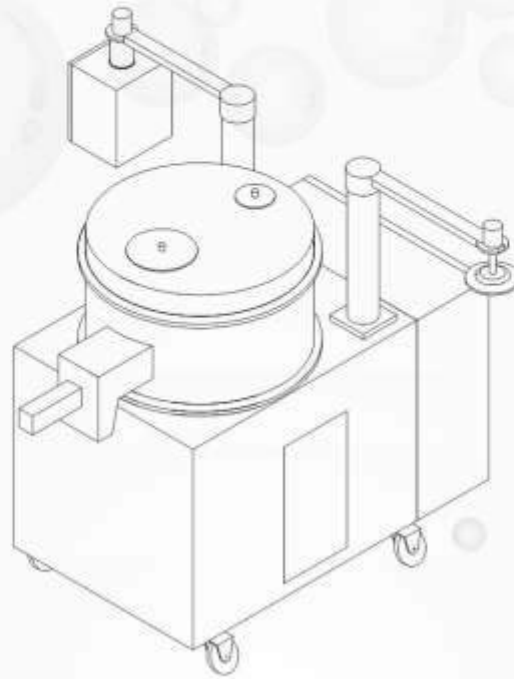
Anish Spheronizer is used to convert the extrudate (output from extruder machine) into small rounded or spherical pellets.

## Salient Features:

- Convenient batch size
- Uniform & consistent product and standard size
- Compact design thus lesser foot print
- Robust construction
- Hassle free cleaning, dismantling, assembling
- Complete process automation with PLC and HMI based control
- High productivity and low maintenance cost
- Complying with cGMP norms
- SS 316 contact parts and food grade silicon gaskets
- MOC – All contact part – SS 316 and Non-contact part SS 304

# ASPH

Anish Spheronizer



## Models:

	R&D Model	Pilot Model	Commercial Model	
	ASPH-200	ASPH-400	ASPH-700	ASPH-900
Capacity (in litre)	0.5 - 1 Lit.	4 Lit.	20 Lit.	45 Lit.

## Additional features - Spheronizer:

- MOC – All contact part – SS 316 and Non-contact part SS 304
- Drum, controls & discharge assembly.
- Machines can be mobile or stationed
- The drum will be of rotating design to enable discharge from either side.
- Chequered plate of 2 mm, 3.25 mm, 4 mm, 6 mm & 8 mm pitch, dynamically balanced & Easily removable for cleaning with lifting screw arrangement.
- White colour Silicon food grade gaskets
- Plate lifting mechanism provided separately along with bucket valve fitted.
- Discharge Assembly-Contact Parts SS316 Non-Contact parts SS304
- Control System: Manual mode as well as auto mode control panel with speed variance system.
- SCADA based 21 CFR Part 11 Compliant operating system
- Jacketed Spheronizer (For cooling & heating purpose)



### anish pharma equip pvt. ltd.

**Works:** G-68, MIDC Ambad, Nasik,  
Maharashtra, India 422010  
Tel.: +91 253 2381831/2380337  
Fax: +91 253 2380903

**Office:** B-613, Lodha Supremus Tower II,  
Wagle Estate, Thane (W),  
Maharashtra, India 400604  
T.: +91 22 49765310/311

E: [marketing@anishpharma.com](mailto:marketing@anishpharma.com) | M: +91 9822268801 / 9881470643 / 8879988799  
W: [www.anishpharma.com](http://www.anishpharma.com)